



SCHWEIZER SERVICE BULLETIN

C1B-025.1*
26 Sep 2008

MANDATORY

MANDATORY

MANDATORY

SUBJECT: INSTALLATION OF SINGLE WHEEL GROUND HANDLING WHEEL LOCKING DEVICE

MODELS AFFECTED:

- 269C-1 model helicopters equipped with 269A3202-107, -108, -109, -110 single wheel flyable ground handling wheels.
- All spare 269A3202-107, -108, -109, -110 wheel assemblies before installation.

TIME OF COMPLIANCE: PART I: Before Next Flight

PART II: At Operator's Convenience

REFERENCE: 269C-1 Basic HMI, Revised: 26 Sep 2008, and Basic HMI Appendix A, Revised 26 Sep 2008.

PREFACE:

- Part I of this Service Bulletin requires the 269A3202-107, -108, -109, and -110 single wheel flyable ground handling wheels be removed from the aircraft before flight until modified by Part II of this Service Bulletin. For ease of identification, the affected assemblies are those using a bolt as the wheel axle.

WARNING

Failure to comply with this Service Bulletin may lead to loss of ground handling wheel in flight and subsequently cause serious injury, death, and or property damage.

FAA APPROVAL: The technical aspects of this Service Bulletin are FAA approved.

PARTS REQUIRED: MS24665-360 Cotter Pin 2 each
(NASM 24665-441 ALT)

PROCEDURE:

PART I:

- Remove 269A3202-107 and -108 or 269A3202-109 and -110 single wheel ground handling wheel assemblies from aircraft before further flight.

PART II:

- Remove ground handling wheel assembly from aircraft.
- Ensure wheel assembly is installed on axle with a minimum of one and a maximum of 3 washers between wheel and welded axle assembly, as shown in Figure C1B-025-1, to provide clearance between tire and axle assembly. Also ensure one washer is installed between bolt head and wheel assembly.

(■) Denotes portion of text added or revised

*Supersedes C1B-025, dated 14 Jul 2008

NOTE

In the following step, some early wheel assemblies do not have provisions for a set screw and do not have a set screw installed. If the wheel assembly does not have a set screw installed, disregard the "loosen set screw" and "torque set screw" instructions.

- c. Loosen set screw and torque bolt (Fig. C1B-025-1, NOTE 3) to 100-150 inch pounds. End of bolt must be flush with welded axial assembly to .040 inch max. Check wheel for axial play; none allowed. If wheel has axial play, check wheel for proper shimming. Repair as necessary in accordance with HMI Appendix A. Torque set screw to 20-25 inch pounds.
- d. Draw a center line across middle of axle bolt as shown in Figure C1B-025-1, continue line around the welded assembly.
- e. Measure .38 inches in from edge of welded assembly along center line of bolt and using a #24 drill, drill one hole through welded axle assembly and axle bolt. Use care to keep drill hole centered along axis of bolt. Clean and deburr hole.
- f. Install cotter pin in hole in accordance with AC 43.13-1B, Section 7, Paragraph 7-127.
- g. Record compliance with this Service Bulletin in the aircraft records.

WEIGHT AND BALANCE

Weight and Balance are not affected. (Ground handling wheels are not included in empty weight of helicopter. They are considered as disposable load.)

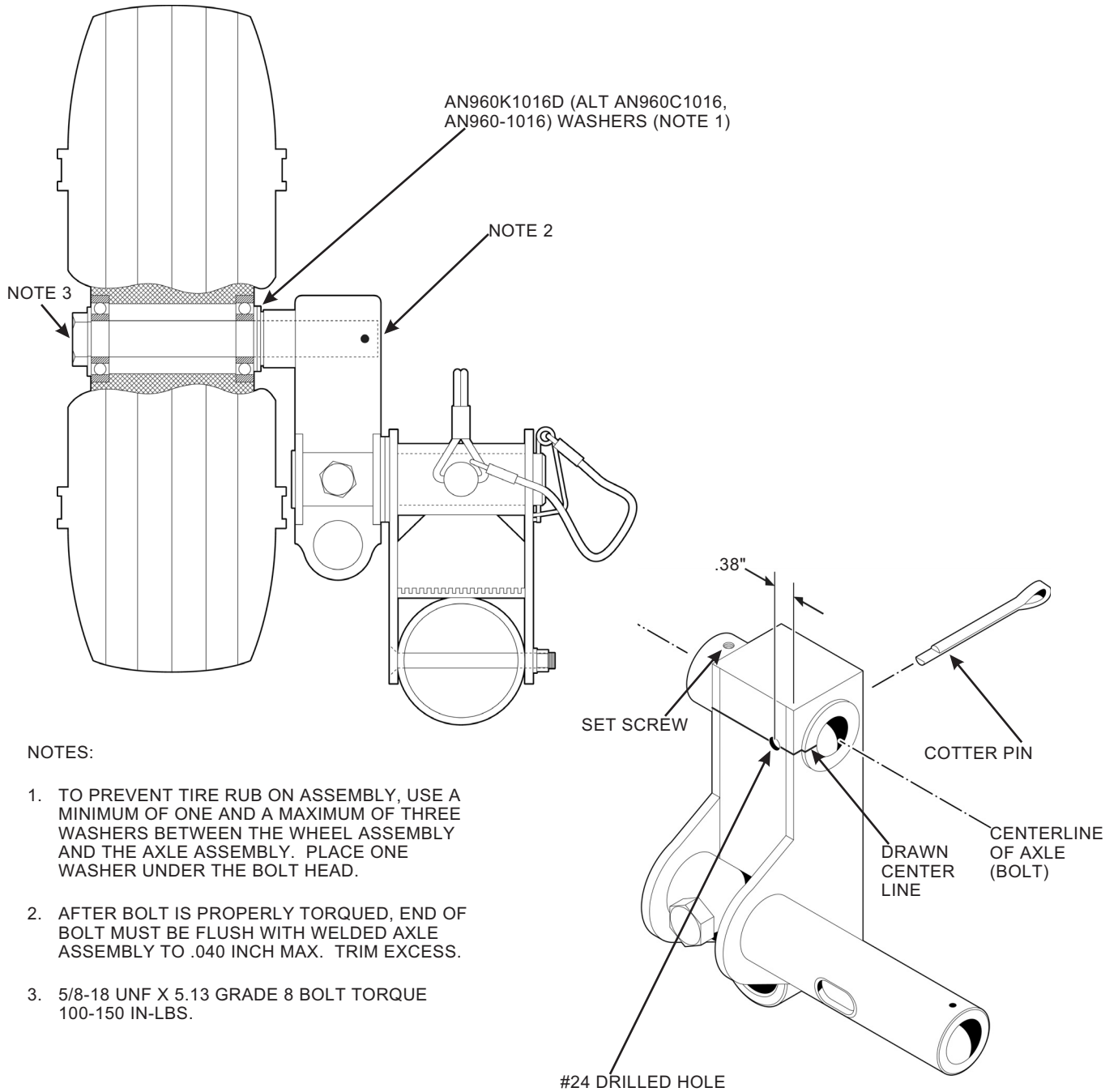


Figure C1B-025-1. Ground Handling Wheel Assembly