



SCHWEIZER SERVICE BULLETIN

DB-025
26 Sep 2008

MANDATORY

MANDATORY

MANDATORY

SUBJECT: LANDING GEAR SKID TUBE AFT SLEEVE INSPECTION

MODELS AFFECTED:

- 269D Serial Numbers 0070A through 0072A
- All spare 269A3231 aft sleeves purchased between December 2007 and July 2008

TIME OF COMPLIANCE: Within 10 hours of operation.

REFERENCE: 269D Basic HMI, Revised: 26 Sep 2008, 269D "Conf A" Basic HMI, Revised: 26 Sep 2008

PREFACE:

- It has come to our attention that the tabs of some aft sleeves have been machined incorrectly and this causes a restriction in the rotational travel of the associated component. A dimensional check of the aft sleeve will expose any restriction in the rotational travel.

WARNING

FAILURE TO COMPLY WITH THIS SERVICE BULLETIN MAY LEAD TO DYNAMIC SPRING BACK OF LANDING GEAR DURING HARD LANDINGS AND SUBSEQUENTLY CAUSE SERIOUS HELICOPTER AND PROPERTY DAMAGE.

FAA APPROVAL: The technical aspects of this Service Bulletin are FAA approved.

PARTS REQUIRED:	269A3231	Sleeve	2 each
	269A3232-3	Cap	2 each
	NAS1669-6L5	Rivet	8 each
	PR1422	Sealing Compound	AR

PROCEDURE:

- Install ground handling wheels and raise aft skid sleeve extension from ground.
- Using a caliper, measure both tabs of aft sleeves as shown in Figure DB-025-1. Dimension of aft sleeve tabs should be between 1.439 to 1.454 inches.

NOTE

When the aft sleeve is replaced, notice in Figure DB-025-1 that the top forward attachment screw is located inside the strut fairing. To gain access to the screw, the skid extension must be separated from the strut fitting.

- If either tab dimension is over 1.454 inches, replace aft sleeve with serviceable sleeve in accordance with Basic HMI Section 12 within next 100 hours of flight time or 3 months whichever comes first.

- d. Measure all spare aft sleeves in stock purchased between December 2007 and July 2008 for tab dimension of 1.439 to 1.454 inches. Remove from stock all sleeves that do not pass inspection.
- e. Record compliance with this Service Bulletin in the aircraft records.

WEIGHT AND BALANCE
Weight and Balance are not affected.

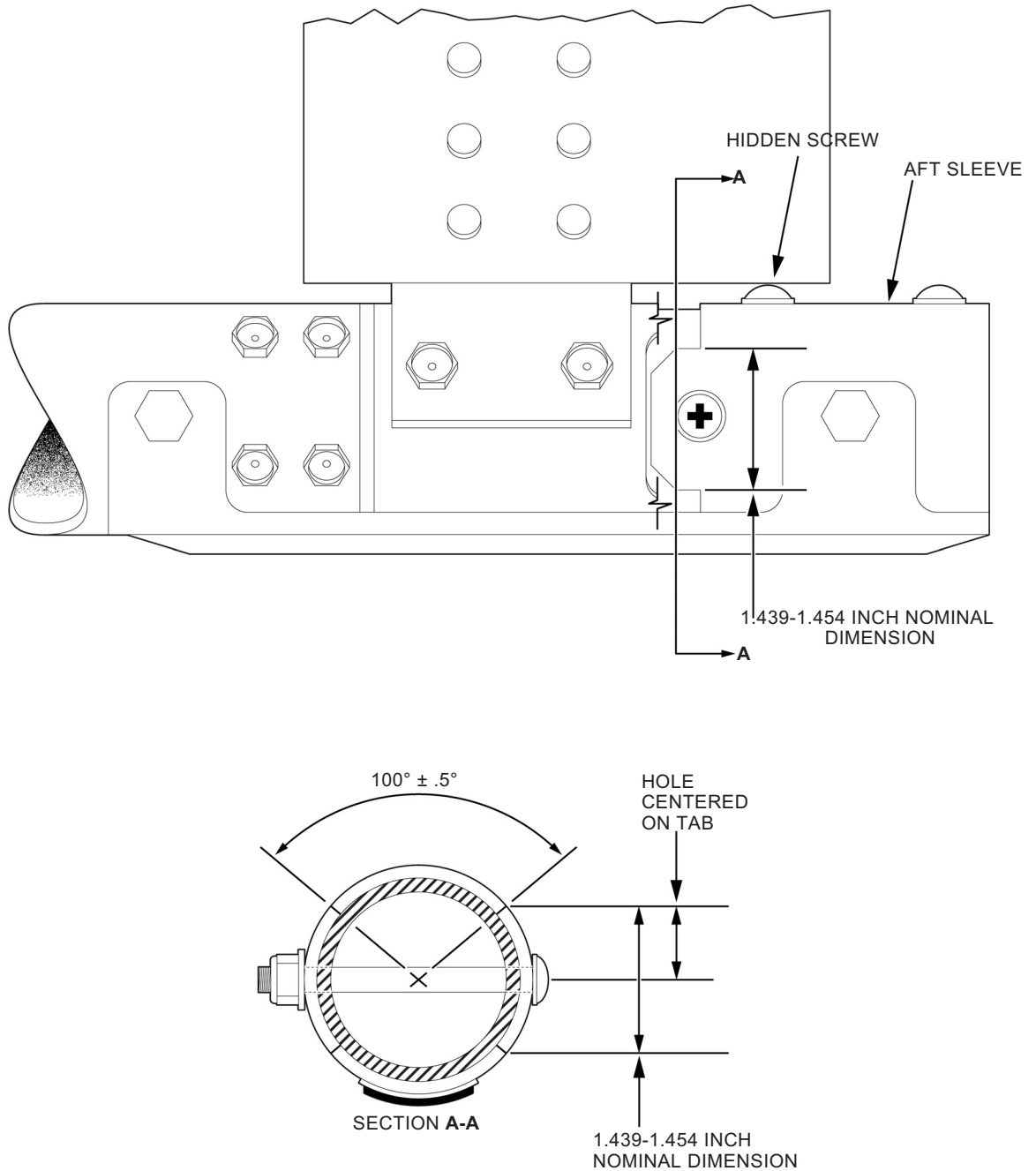


Figure DB-025-1. Aft Sleeve