



# HUGHES SERVICE INFORMATION NOTICE

NOTICE NO. N-147.4\*

DATE 23 February 1982

PAGE 1 OF 3

\*Supersedes Service Information  
Notice No. N-147.3, dated  
4 June 1979

MANDATORY

MANDATORY

MANDATORY

SUBJECT: RELOCATION OF STARTING VIBRATOR CIRCUIT WIRING

MODELS AFFECTED: Model 269A (TH-55A) Helicopter Serial No. 0315 and subs  
Model 269B Helicopter Serial No. 0001 and subs  
Model 269C Helicopter Serial No. 0001 thru 1119

TIME OF COMPLIANCE: Shall be accomplished within next 100 hours of helicopter operation

PREFACE: Field reports indicate that, during a ground check of the clutch actuator, engagement of the starter and rotation of the main rotor blade occurred, due to a diode in the actuator circuit shorting out.

The information given in this Service Information Notice lists instructions for relocating the electrical wiring lead from the starting vibrator to the starter relay, to prevent recurrence of the incident described above.

It is to be noted that the MR504 or IN4722 diode installed in the clutch actuator wiring per Notice No. N-147.3 is to be retained.

The data provided in this Notice is to be considered as a part of the HMI until it is incorporated at the next scheduled revision of the applicable manuals referenced below.

#### Reference

- 269 Series - Basic HMI, Reissued 1 April 1980
- 269 Series - HMI Configuration Supplement TH-55A, Issued 1 February 1972; Revised 15 October 1978
- 269 Series - HMI Configuration Supplement B, Issued 1 March 1973
- 269 Series - HMI Configuration Supplement C, Reissued 1 April 1980

( ) Denotes portion of text added or revised

Customer Service Department

PARTS LIST

<u>Nomenclature</u>	<u>Part No.</u>	<u>Qty</u>	<u>Mfr</u>
Lug, terminal	MS25036-149	1	Commercial
	or		
	31888	1	AMP Inc

WIRING RELOCATION PROCEDURE

- a. Disconnect existing starter vibrator wire lead (K33A20) from coil terminal (269A4682-1 nipple) of starter relay. (See Figure 1.)
- b. Connect wire lead to load terminal (269A4682-2 nipple) of starter relay as shown. Use new MS25036-149 or AMP 31888 terminal lug.
- c. Record compliance with this Service Information Notice in Compliance Record of helicopter Log Book.

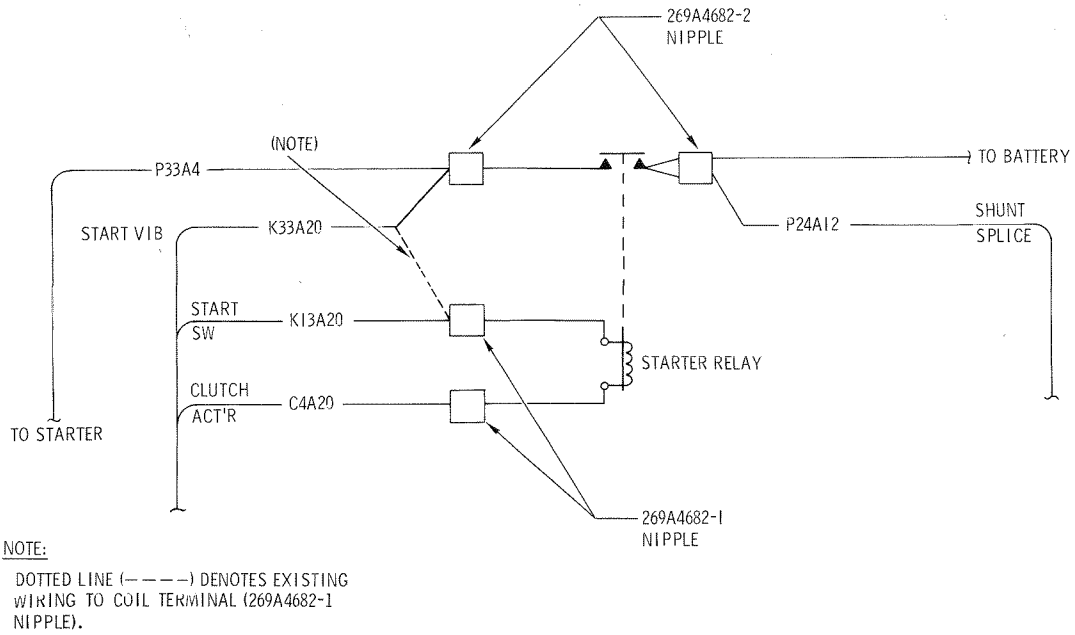
NOTE

The MR504 or IN4722 diode installed in early type clutch actuator assemblies per Notice No. N-147.3 is to be retained. (see Figure 2.)

WEIGHT AND BALANCE DATA

Weight and balance not affected

The resultant alteration to the affected helicopters described by the wiring relocation procedure of this Notice has been shown to comply with the applicable Federal Aviation Regulations and is FAA Approved.



88-225A

Figure 1. Wiring diagram - starter relay/starting vibrator

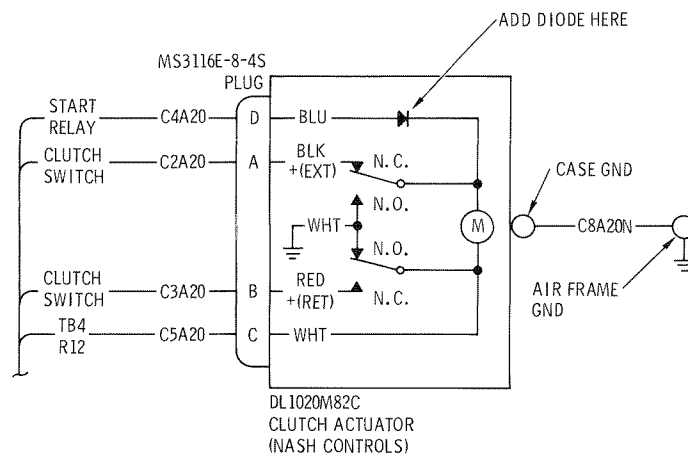


Figure 2. Wiring diagram - clutch linear actuator assembly

## REFERENCE SHEET

### SERVICE INFORMATION NOTICES AND LETTERS

Action Reference: When performing maintenance or inspection of clutch linear actuator, refer to Service Information Notice No. N-147.4.

HMI Reference: Insert this sheet in 269 Basic HMI, Section 10, page 10-10.

This reference sheet shall be kept as a part of the manual until the data is incorporated at the next revision of the 269 Basic HMI. (Refer to Service Information Summary, Basic HMI, page i.)

## REFERENCE SHEET

### SERVICE INFORMATION NOTICES AND LETTERS

Action Reference: When performing maintenance or inspection of starter relay or starting vibrator, refer to Service Information Notice No. N-147-4.

HMI Reference: Insert this sheet in 269 Basic HMI, Section 16, page 16-13.

This reference sheet shall be kept as a part of the manual until the data is incorporated at the next revision of the 269 Basic HMI. (Refer to Basic HMI, page i.)

## REFERENCE SHEET

### SERVICE INFORMATION NOTICES AND LETTERS

Action Reference: When performing maintenance or inspection of electrical circuitry for starter relay, starting vibrator, or clutch linear actuator, refer to Service Information Notice No. N-147.4.

HMI Reference: Insert this sheet in Section 17, page 17-1 of applicable HMI Configuration Supplement (B, C or TH-55A).

This reference sheet shall be kept as a part of the manual until the data is incorporated at the next revision of the applicable 269 HMI Supplement. (Refer to Service Information Summary, HMI Configuration Supplement, page i.)