



HUGHES SERVICE INFORMATION NOTICE

NOTICE NO. N-44

DATE March 29, 1968

PAGE 1 OF 4

SUBJECT: KIT INSTALLATION - UTILITY LIGHTS

MODELS AFFECTED: 269A(TH-55A) Helicopter Serial Nos. 0714 thru 0773

TIME OF COMPLIANCE: At owners and operators discretion

PREFACE:

The information given in this Service Information Notice lists a procedure for retrofit of cabin utility lights to effect P/N269A4705-9 Night Flying Lighting Installation on above referenced aircraft.

Reference

269A/A-1/TH-55A Handbook of Maintenance Instruction, Reissued 15 Dec. 1967

PARTS LIST

<u>Nomenclature</u>	<u>Part No.</u>	<u>Qty.</u>	<u>Mfgr.</u>
Kit - Utility Light Installation	M10036	1	HTC-AD

Tools and Equipment

Drill motor - portable	Commercial
Drill bit - #30	Commercial
Gun, rivet	Commercial

PROCEDURE

- a. Position mounting plate on center canopy frame, per Figure 1; mark and drill rivet holes in canopy frame.
- b. Install mounting plate to canopy frame with rivets.
- c. Install utility lights and clamps on mounting plate.

NOTE

Minimum length of wire between each light and clamp is 2 feet extended.

- d. Position wiring in center canopy frame; install retainer to secure wiring.
- e. Install utility light wiring per wiring diagram, Figure 2.
- f. Check utility light installation for discrepancies.
- g. Perform operational check of aircraft lighting and electrical systems.

Weight and Balance Data

Add: 1.4 lb. at 85.0 in. arm.

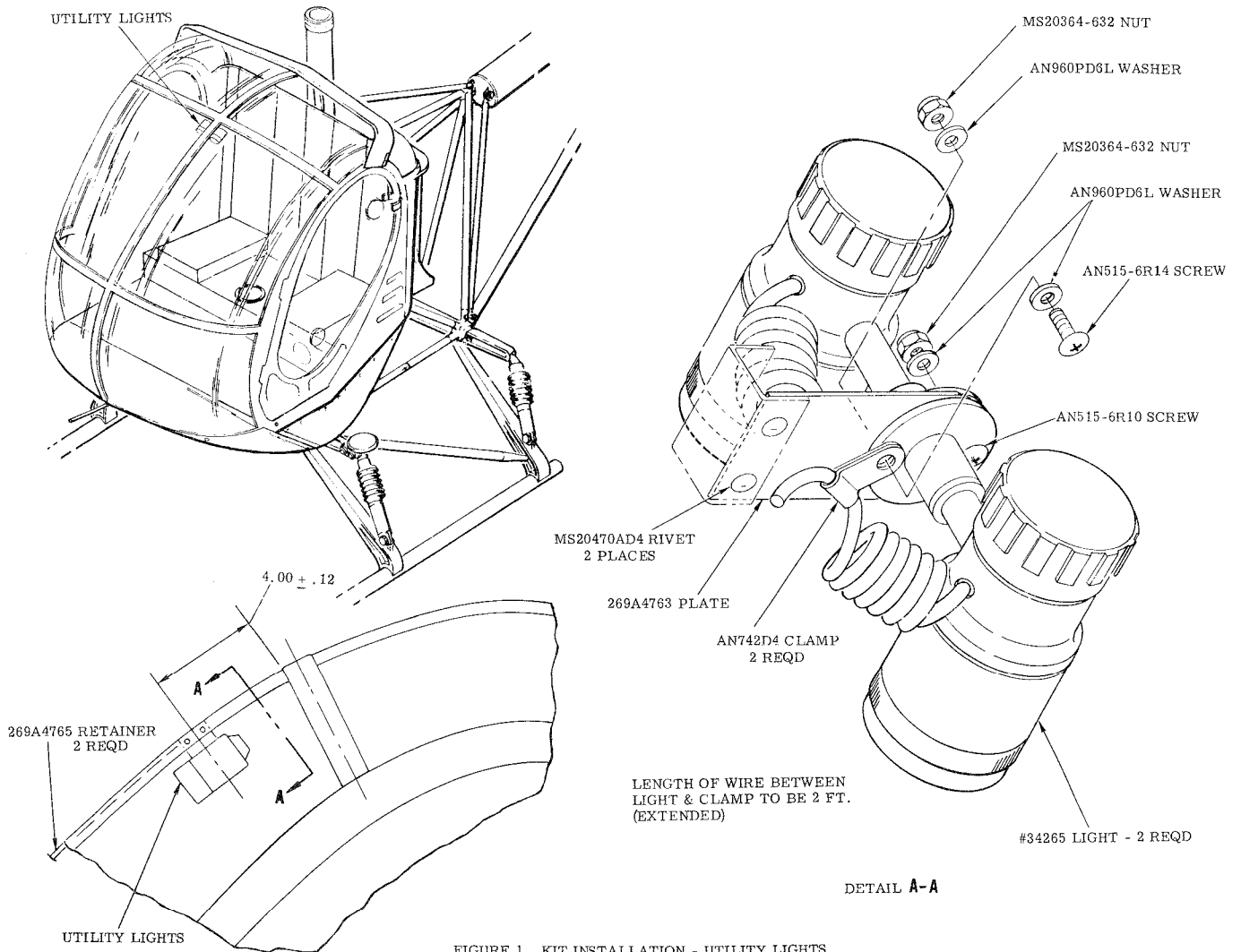


FIGURE 1. KIT INSTALLATION - UTILITY LIGHTS

