



# SCHWEIZER SERVICE BULLETIN

B-290  
26 Sep 2008

**MANDATORY**

**MANDATORY**

**MANDATORY**

**SUBJECT:** LANDING GEAR SKID TUBE AFT SLEEVE INSPECTION

**MODELS AFFECTED:**

- 269C Serial Numbers S1907, S1909 through S1913 and S1915
- All spare 269A3231 aft sleeves purchased between December 2007 and July 2008

**TIME OF COMPLIANCE:** Within 10 hours of operation.

**REFERENCE:** 269A, TH-55A, A-1, B & C Basic HMI, Revised: 26 Sep 2008, 269C 1809 & Sub. Basic HMI, Revised: 26 Sep 2008

**PREFACE:**

- It has come to our attention that the tabs of some aft sleeves have been machined incorrectly and this causes a restriction in the rotational travel of the associated component. A dimensional check of the aft sleeve will expose any restriction in the rotational travel.

**WARNING**

**FAILURE TO COMPLY WITH THIS SERVICE BULLETIN MAY LEAD TO DYNAMIC SPRING BACK OF LANDING GEAR DURING HARD LANDINGS AND SUBSEQUENTLY CAUSE SERIOUS HELICOPTER AND PROPERTY DAMAGE.**

**FAA APPROVAL:** The technical aspects of this Service Bulletin are FAA approved.

<b>PARTS REQUIRED:</b>	269A3231	Sleeve	2 each
	269A3232-3	Cap	2 each
	PR1422	Sealing Compound	AR

**PROCEDURE:**

- a. Install ground handling wheels and raise aft skid sleeve extension from ground.
- b. Using a caliper, measure both tabs of aft sleeves as shown in Figure B-290-1. Dimension of aft sleeve tabs should be between 1.439 to 1.454 inches.
- c. If either tab dimension is over 1.454 inches, replace aft sleeve with serviceable sleeve in accordance with Basic HMI Section 12 within next 100 hours of flight time or 3 months whichever comes first.
- d. Measure all spare aft sleeves in stock purchased between December 2007 and July 2008 for tab dimension of 1.439 to 1.454 inches. Remove from stock all sleeves that do not pass inspection.
- e. Record compliance with this Service Bulletin in the aircraft records.

WEIGHT AND BALANCE  
Weight and Balance are not affected.

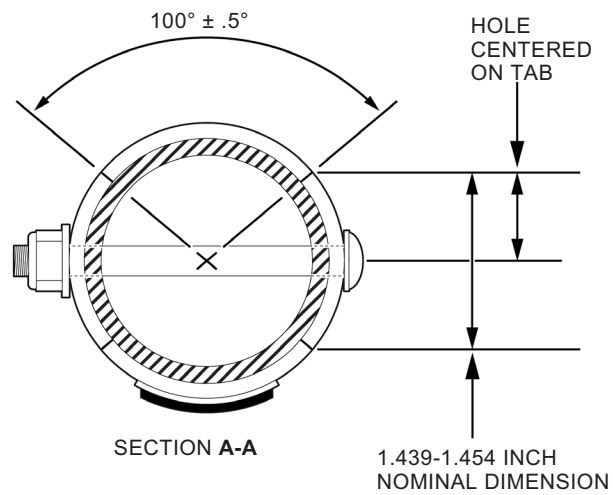
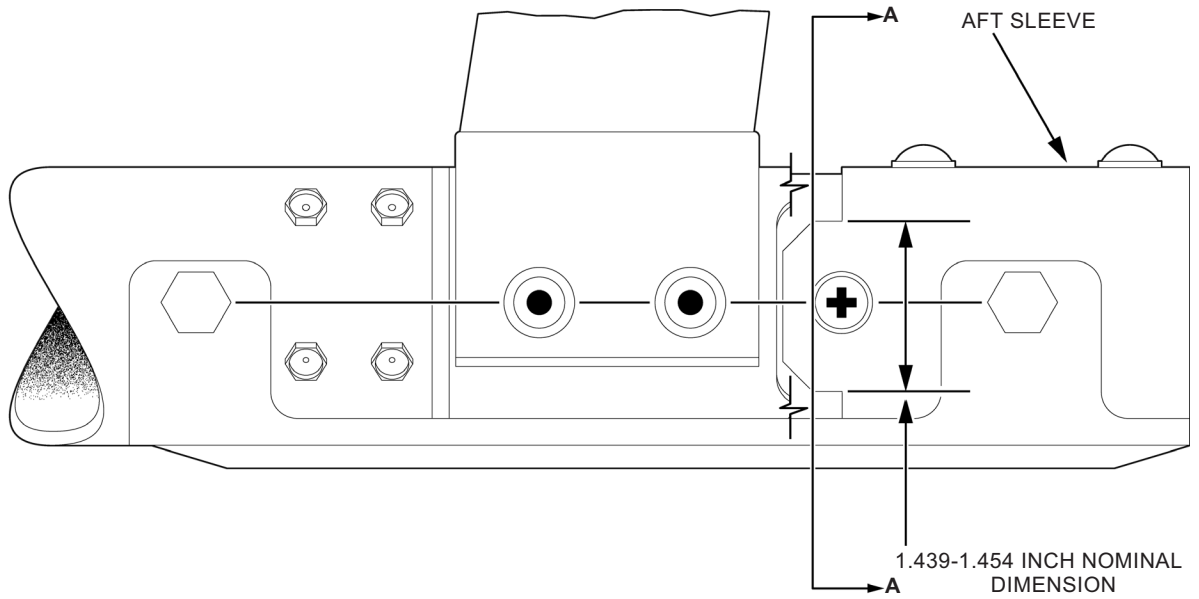


Figure B-290-1. Aft Sleeve