



SCHWEIZER SERVICE NOTICE

NOTICE NO. N-232
DATE: 06 Oct 1989
PAGE 1 OF 3

MANDATORY

MANDATORY

MANDATORY

SUBJECT:

INSPECTION OF TAIL ROTOR DRIVE SHAFT DAMPER BLOCK ASSEMBLY
269A2330-3.

MODELS AFFECTED:

- Model 269C Helicopters Serial Numbers 1379 through 1387.
- All spare assemblies received between 26 April 1989 and 21 June 1989.
- All tail booms P/N 269A2320-9 and -11 received between 26 April 1989 and 21 June 1989.

TIME OF COMPLIANCE:

- Shall be accomplished at the next 100 hour inspection or next removal of tail rotor drive shaft, whichever occurs first.

REFERENCES:

- 269 Series - Basic HMI, Reissued 15 March 1982
- 269 Series - HMI Supplement C, Reissued 15 September 1982

PREFACE:

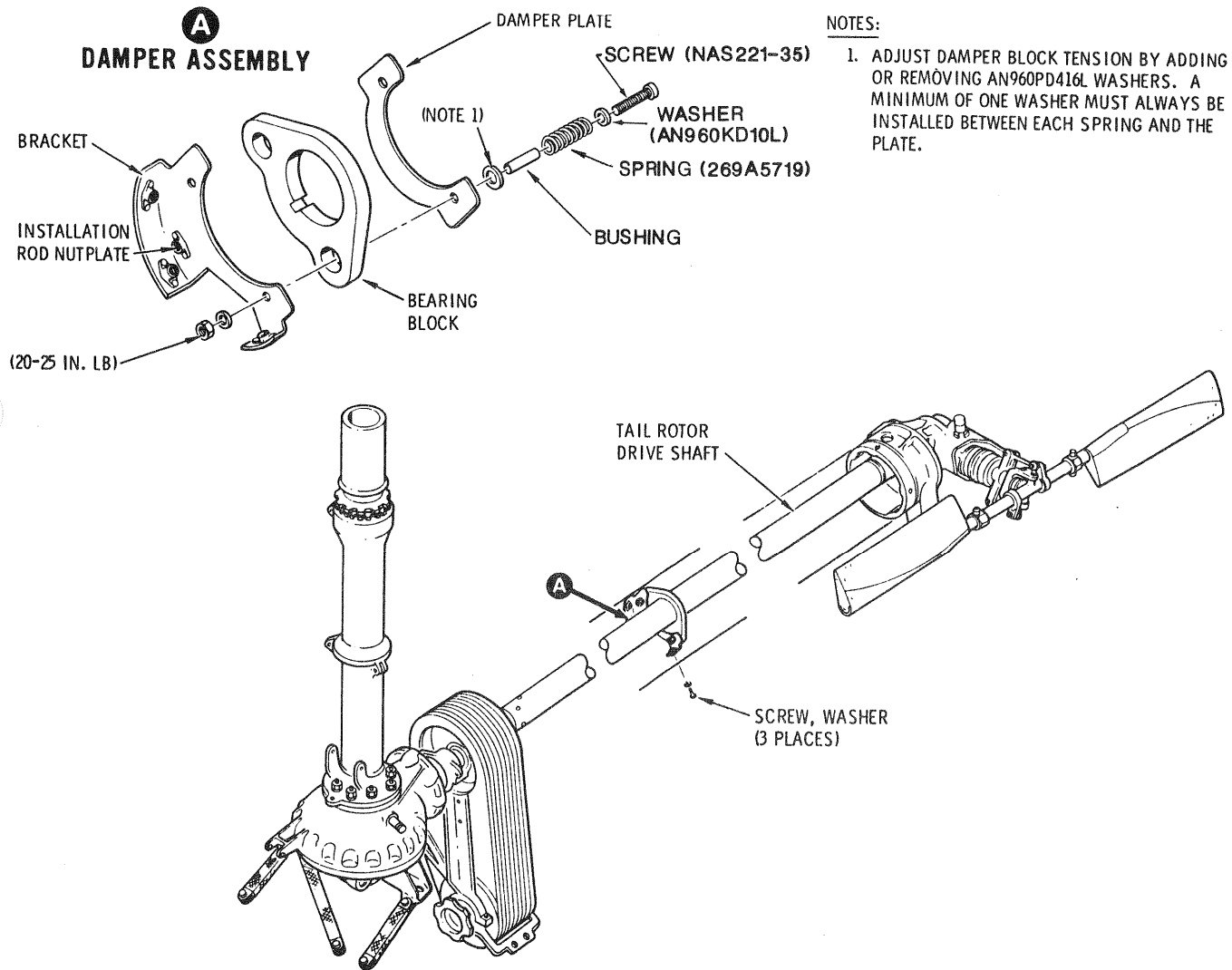
A possibility exists that washers (AN960KD10L) may not have been installed between the head of screws (NAS221-35) and tension springs (269A5719). In this event, the tension spring may slip over the screw head and cause a loss of friction on the damper block. This loss of friction may result in damper assembly damage and possible separation of the drive shaft. Failure to comply with the directives of this notice may lead to loss of aircraft control and subsequent injury or loss of life.

PROCEDURE:

- a. Remove tail rotor drive shaft and damper assembly per Basic HMI, Section 10.
- b. Inspect damper assembly (Detail A, Figure 1) for installation of washers (AN960KD10L) between screw heads and springs. (If washers are installed, proceed to step e. If washers are missing, proceed to step c.)
- c. Disassemble damper assembly, as necessary to install missing washers, per Basic HMI, Section 10.
- d. Install washers, assemble damper assembly, and adjust per Basic HMI, Section 10.
- e. Install tail rotor drive shaft and damper assembly per Basic HMI, Section 10.
- f. Record compliance with this notice in compliance record of Helicopter Log Book.

WEIGHT AND BALANCE DATA:

Weight and balance not affected.



59-116B

Figure 1. Tail rotor driveshaft and damper assembly

