



**Sikorsky helicopter
Corporation**

6900 Main Street P.O. Box 9729
Stratford, Connecticut 06615-9129
(203) 386-4000

269D™ HELICOPTER

ALERT SERVICE

BULLETIN



NOTICE TO ALL PERSONS RECEIVING THIS DOCUMENT:

WARNING: THIS DOCUMENT, OR AN EMBODIMENT OF IT IN ANY MEDIA, DISCLOSES INFORMATION WHICH IS PROPRIETARY, IS THE PROPERTY OF LOCKHEED MARTIN CORPORATION AND/OR ITS SUBSIDIARIES, IS AN UNPUBLISHED WORK PROTECTED UNDER APPLICABLE COPYRIGHT LAWS, AND IS DELIVERED ON THE EXPRESS CONDITION THAT IT IS NOT TO BE USED, DISCLOSED, REPRODUCED, IN WHOLE OR IN PART (INCLUDING REPRODUCTION AS A DERIVATIVE WORK), OR USED FOR MANUFACTURE FOR ANYONE OTHER THAN LOCKHEED MARTIN CORPORATION AND/OR ITS SUBSIDIARIES WITHOUT ITS WRITTEN CONSENT, AND THAT NO RIGHT IS GRANTED TO DISCLOSE OR SO USE ANY INFORMATION CONTAINED HEREIN. ALL RIGHTS RESERVED. ANY ACT IN VIOLATION OF APPLICABLE LAW MAY RESULT IN CIVIL AND CRIMINAL PENALTIES.

269D™ IS A REGISTERED TRADEMARK OF SIKORSKY HELICOPTER CORPORATION.

ASB DB-072

Basic Issue • October 3/17

SUBJECT: POWER TRAIN SYSTEM – Kaflex® Drive Shaft – One-Time Inspection for the Correct Bolt that Attaches the Drive Adapter to Kaflex® Assembly

Section 1. PLANNING INFORMATION

- A. **Effectivity** All 269D and 269D configuration "A" helicopters equipped with the new Kaflex® assembly (SKCP2738-9 and SKCP2738-101). Helicopters equipped with Kaflex® assembly (SKCP2738-7) are not affected by this Alert Service Bulletin (ASB).
- B. **Purpose** To provide instructions to inspect for the correct bolt that attaches the drive adapter to forward Kaflex® assembly (SKCP2738-9).
- C. **Background** Kaflex® assembly (SKCP2738-9) is designed to be attached to the drive adapter (269D5120) with bolt (NAS565-39). The use of an incorrect bolt can result in a loss of main rotor drive. An inspection procedure was developed to make sure the correct bolt is installed.
- D. **Description** Helicopter is prepared for inspection. Access is gained to the drive adapter and Kaflex® assembly (SKCP2738-9) and inspected for correct bolt. If bolt (NAS565-39) is not installed, it is replaced. Bolt (NAS565-39), lockwasher and washer are installed. Helicopter is returned to service.
- E. **Compliance** Compliance is essential. The instructions outlined herein shall be accomplished no later than 10 flight hours or 30 days whichever occurs first, from the issue date of this ASB.
- F. **Approval** Inspection item.

ONE-TIME
INSPECTION

Page 1 of 8

WARNING – This document contains technical data subject to the EAR. Authorization is required prior to providing this technical data to any company, entity, person, or destination. EAR Export Classification: ECCN EAR99

Section 1. PLANNING INFORMATION (Continued)

G. Manpower (Estimated)

<u>Task</u>	<u>No. of Men</u>	<u>No. of Hours</u>	<u>Man-Hours*</u>
Inspection of drive adapter to KAflex® assembly and hardware configuration	1	0.6	0.6
Installation of plate-cover drive adapter.	1	0.4	<u>0.4</u>
Total Man-Hours			1.0
*Estimate does not include time required to prepare helicopter or return it to flight status.			

H. Tooling

<u>Qty</u>	<u>Nomenclature</u>	<u>Part No.</u>	<u>Source</u>
1	Torque Wrench (0 – 150 inch-pounds)	Commercially available or equivalent	(1)

(1) Available through normal supply channels.

I. Weight and Balance

Not affected.

J. Electrical Load Data

Not affected.

K. Software Load Data

Not changed.

L. References

None.

M. Publications Affected

Temporary revisions will be released at a later date.

N. Attachment

None.

Section 2. MATERIAL INFORMATION

A. Basis for Material Data

Per helicopter.

B. Bill of Material

<u>New Part No.</u>	<u>Qty</u>	<u>Key Word</u>	<u>Old Part No.</u>	<u>Instructions/ Disposition</u>
NAS565-39	1	Bolt	NASXXX-XX	(1)
AN936A516	1	Lockwasher	AN936A516	(1)
NAS1149C0532R Alternate: AN960C516	1	Washer	NAS1149C0532R Alternate: AN960C516	(1)
No. STOPPERNO3SBR40DUR or equivalent	1	No. 3 Rubber Stopper	No. STOPPERNO3SBR40DUR or equivalent	(1)(2)
23053995	1	Gasket	23053995	(1)(2)

(1) Available through normal supply channels.

(2) Can be reused if not deteriorated. Replace if damaged.

C. Consumable Material



OBSERVE ALL CAUTIONS AND WARNINGS ON CONTAINERS WHEN USING CONSUMABLES. WHEN APPLICABLE, WEAR NECESSARY PROTECTIVE GEAR DURING HANDLING AND USE. IF A CONSUMABLE IS FLAMMABLE OR EXPLOSIVE, MAKE CERTAIN CONSUMABLE AND ITS VAPORS ARE KEPT AWAY FROM HEAT, SPARK AND FLAME. MAKE CERTAIN FIREFIGHTING EQUIPMENT IS READILY AVAILABLE PRIOR TO USE. FOR ADDITIONAL INFORMATION ON TOXICITY, FLASHPOINT AND FLAMMABILITY OF CHEMICALS, CONSULT YOUR MEDICAL DEPARTMENT OR THE MANUFACTURER OF THE CONSUMABLE.

<u>Qty</u>	<u>Nomenclature</u>	<u>Part No.</u>	<u>Source</u>
A/R	Sealant	890 B-2 Proseal or equivalent	(1)

(1) Available through normal supply channels.



Section 3. ACCOMPLISHMENT INSTRUCTIONS

A. Prepare helicopter for inspection:



TO PREVENT ELECTRICAL SHOCK OF PERSONNEL OR POSSIBLE DAMAGE TO HELICOPTER COMPONENTS, MAKE SURE TO TURN OFF ALL ELECTRICAL POWER.

- (1) Turn off all helicopter electrical power.
- (2) Remove engine cowling and access panels as required.
- (3) Remove nuts securing plate-cover drive adapter to engine, located adjacent to the starter generator.

NOTE: If gasket (23053995) has deteriorated, discard.

- (4) Remove gasket (23053995) and plate-cover drive adapter from engine.
- (5) Remove No. 3 rubber stopper from end of drive adapter and clean off any residual sealant.

NOTE: Bolt securing drive adapter to KAflex® assembly varies in length depending upon what production KAflex® assembly is installed. For helicopters equipped with legacy KAflex® assembly (SKCP2738-7), bolt (NAS1305-4) is used. For helicopters equipped with new KAflex® assembly (SKCP2738-9), bolt (NAS565-39) is used.

B. Inspect drive adapter to KAflex® assembly attachment bolt as follows (Refer to Figures 1 and 2):

- (1) Remove bolt, lockwasher and washer from drive adapter.
- (2) Inspect bolt for part number "NAS565-39".
 - (a) If bolt part number is not "NAS565-39", discard bolt (NASXXX-XX) and replace with correct bolt (NAS565-39).
 - (b) If bolt part number is "NAS565-39" proceed to next step.



LOCKWASHER AN936A516 SHALL BE REPLACED ANYTIME BOLT TORQUE IS LOOSENED.

NOTE: Lockwasher (AN936A516) shall be installed between head of bolt (NAS565-39) and flat washer (NAS1149C0532R).

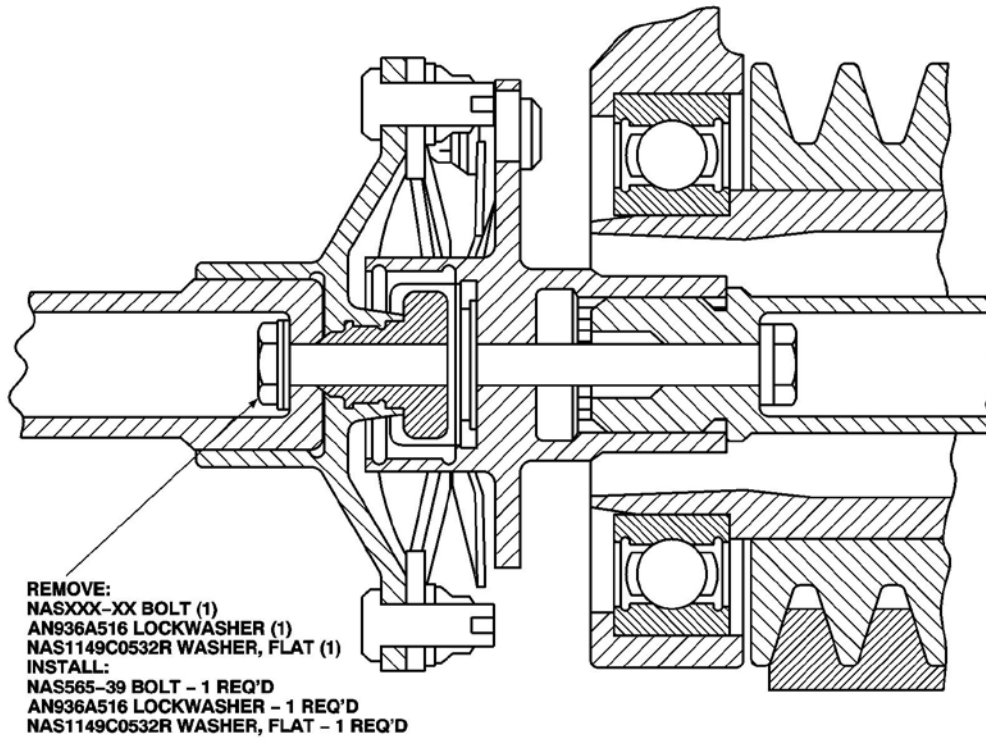
- (3) Install bolt (NAS565-39), new lockwasher (AN936A516) and flat washer (NAS1149C0532R).
- (4) Torque bolt to 100-140 in-lbs.

Section 3. ACCOMPLISHMENT INSTRUCTIONS (Continued)

NOTE: No. 3 rubber stopper (No. STOPPERNO3SBR40DUR or equivalent) shall be replaced if damaged.

- (5) Apply sealant (890 B-2 Proseal or equivalent) to No. 3 rubber stopper (No. STOPPERNO3SBR40DUR or equivalent) and insert into drive adapter.
 - (6) Apply sealant (890 B-2 Proseal or equivalent) to gasket (23053995).
 - (7) Install gasket (23053995) and plate-cover drive adapter onto engine, located adjacent to the starter generator, and secure with nuts. Torque nuts to 35 in-lbs.
 - (8) Install engine cowling and access panels as required.
- C. Return helicopter to service.

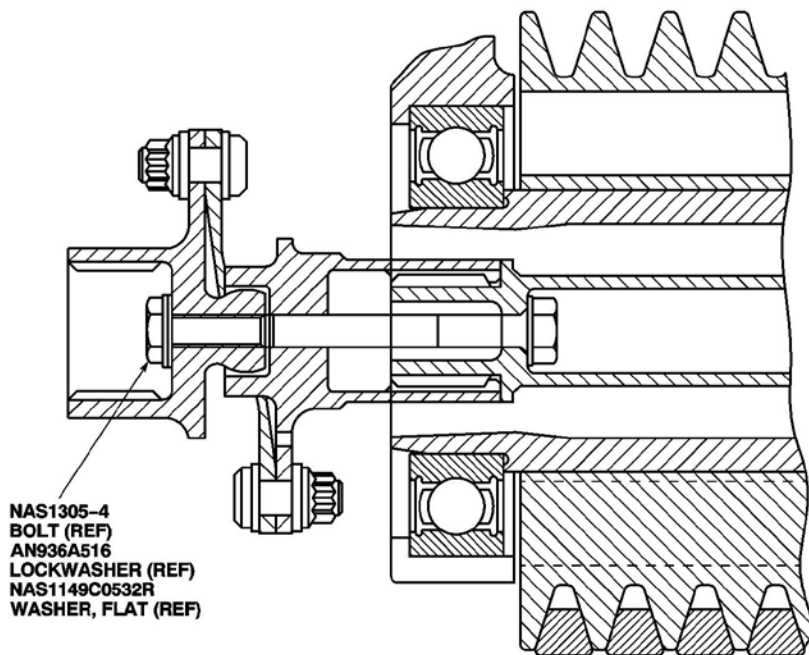
Section 3. ACCOMPLISHMENT INSTRUCTIONS (Continued)



TD4406
SA

KAFLEX® ASSEMBLY (SKCP2738-9) WITH BOLT (NAS565-39)
FIGURE 1

Section 3. ACCOMPLISHMENT INSTRUCTIONS (Continued)



TD4407
SA

LEGACY KAFLEX® ASSEMBLY (SKCP2738-7) WITH BOLT (NAS1305-4) (SHOWN FOR COMPARISON)
FIGURE 2

Section 3. ACCOMPLISHMENT INSTRUCTIONS (Continued)

D. Record of compliance:

- (1) Make an appropriate helicopter logbook entry to show compliance with this ASB.
- (2) Upon compliance with the ASB, complete attached ALERT SERVICE BULLETIN COMPLIANCE RECORD CARD and return it to Sikorsky Helicopter Corporation.

(Fold over and tape closed)

SIKORSKY AIRCRAFT CORPORATION

FACSIMILE NUMBER (817) 762-6715

EMAIL ADDRESS: product_safety.gr-sik@lmco.com

ATTENTION: Gr-SIK, Product_Safety
SIKORSKY AIRCRAFT CORPORATION



IMPORTANT NOTICE

Upon **COMPLIANCE** with the attached ASB, Sikorsky requests your cooperation in completing and returning this **ENTIRE PAGE** by **MAIL, FAX, or scan & EMAIL**.

Please fill in the requested information at the bottom of the page, so we may maintain proper records documenting the configuration of your aircraft. This information is useful when determining configuration and effectivity of issues affecting fielded aircraft.

This request is in keeping with our policy to assure that our customers receive the latest information applicable for the maintenance of your aircraft. Thank you.

ALERT SERVICE BULLETIN: No. DB-072 **Compliance Record Card**

TITLE: POWER TRAIN SYSTEM – Kaflex® Drive Shaft – One-Time Inspection for the
Correct Bolt that Attaches the Drive Adapter to Kaflex® Assembly

OWNER/OPERATOR: _____

SUBMITTED BY: _____ **DATE:** _____

FOLLOWING SERIAL NUMBERS ARE NOT AFFECTED BY THIS ASB

ASB HAS BEEN COMPLIED WITH ON HELICOPTER SERIAL NUMBERS:

(Fold Up to Arrows)



No Postage
Necessary

BUSINESS REPLY MAIL
FIRST-CLASS MAIL PERMIT NO. 432 BRIDGEPORT CT

POSTAGE WILL BE PAID BY ADDRESSEE

SIKORSKY AIRCRAFT CORPORATION

Commercial Systems and Services

Mailstop K100

124 QUARRY ROAD

TRUMBULL, CT 06611 U.S.A.

ATTENTION:

Gr-SIK, Product_Safety

Please complete the form on the reverse side and FAX to

FACSIMILE NUMBER (817) 762-6715

Or scan and email to:

EMAIL ADDRESS: product_safety.gr-sik@lmco.com

or fold and return ENTIRE form to Sikorsky Aircraft Corporation