

SCHWEIZER AIRCRAFT CORP.

Supplement to the Approved
Rotorcraft Flight Manual

For

Schweizer 330 Model 269D Helicopters

INCREASED DIAMETER MAIN ROTOR SYSTEM Part Number 269A1002-11

WARNING: THIS DOCUMENT, OR AN EMBODIMENT OF IT IN ANY MEDIA, DISCLOSES INFORMATION WHICH IS PROPRIETARY, IS THE PROPERTY OF SIKORSKY AIRCRAFT CORPORATION AND/OR ITS SUBSIDIARIES, IS AN UNPUBLISHED WORK PROTECTED UNDER APPLICABLE COPYRIGHT LAWS, AND IS DELIVERED ON THE EXPRESS CONDITION THAT IT IS NOT TO BE USED, DISCLOSED, REPRODUCED, IN WHOLE OR IN PART (INCLUDING REPRODUCTION AS A DERIVATIVE WORK), OR USED FOR MANUFACTURE FOR ANYONE OTHER THAN SIKORSKY AIRCRAFT CORPORATION AND/OR ITS SUBSIDIARIES WITHOUT ITS WRITTEN CONSENT, AND THAT NO RIGHT IS GRANTED TO DISCLOSE OR SO USE ANY INFORMATION CONTAINED HEREIN. ALL RIGHTS RESERVED. ANY ACT IN VIOLATION OF APPLICABLE LAW MAY RESULT IN CIVIL AND CRIMINAL PENALTIES.

EXPORT WARNING: THESE COMMODITIES, TECHNICAL DATA OR SOFTWARE ARE SUBJECT TO THE EXPORT CONTROL OF EITHER THE INTERNATIONAL TRAFFIC IN ARMS REGULATIONS (ITAR) OR THE EXPORT ADMINISTRATION REGULATIONS (EAR) AND CANNOT BE EXPORTED WITHOUT THE PRIOR AUTHORIZATION OF EITHER THE DEPARTMENT OF STATE OR THE DEPARTMENT OF COMMERCE. THE TERM (EXPORT) INCLUDES ANY DISCLOSURE AND/OR PROVISION OF ACCESS TO COMMODITIES, TECHNICAL DATA OR SOFTWARE TO OR BY FOREIGN NATIONALS (WHETHER LOCATED IN THE UNITED STATES OR ABROAD). THIS REQUIREMENT ALSO APPLIES TO FOREIGN NATIONAL EMPLOYEES OF U.S. COMPANIES AND THEIR FOREIGN SUBSIDIARIES.

MAR 14 1997

Date of Approval : _____

Approved By: Michele J. Maurer
Michele J. Maurer,
Manager, Systems and Flight Test
Branch, NYACO, ANE-172

SCHWEIZER MODEL 269D HELICOPTER
CSP-D-1P

LOG OF PAGES

PAGE	DATE	PAGE	DATE
1	14 Mar 1997		
2	14 Mar 1997		
3	14 Mar 1997		
4	14 Mar 1997		
5	14 Mar 1997		
6	14 Mar 1997		
7	14 Mar 1997		
8	14 Mar 1997		
9	14 Mar 1997		
10	14 Mar 1997		

REVISION TABLE

NUMBER CHANGE	DATE	DESCRIPTION

SCHWEIZER MODEL 269D HELICOPTER
CSP-D-1P

INDEX

Paragraph Number	Title	Page No.
Section I	General	5
Section II	Limitations	7
Section III	Emergency Procedures	7
Section IV	Normal Procedures	7
Section V	Performance	7
Section VI	Weight & Balance	8
Section VII	Aircraft Handling, Servicing & Maintenance	8
Section VIII	Additional Operations & Performance Data	10

SCHWEIZER MODEL 269D HELICOPTER
CSP-D-1P

This page is intentionally left blank.

**SCHWEIZER MODEL 269D HELICOPTER
CSP-D-1P**

**SECTION I
General**

This supplement must be carried in the applicable basic FAA approved 330 Model 269D Rotorcraft Flight Manual when the rotorcraft is equipped with the 269A1002-11 Increased Diameter Main Rotor System.

Except as modified by this flight manual supplement operation in compliance with the basic approved Rotorcraft Flight manual is mandatory.

1-1. DESIGN AND CONSTRUCTION

- The 269A1185-5 main rotor blades are the only blades used with the 269A1002-11 Increased Diameter Main Rotor System.

1-2. GENERAL DIMENSIONAL DATA

Main Rotor Characteristics

- Rotor Diameter 27.26 feet
- Rotor Disc Area 583.6 square feet
- Blade Area (tabs not included) 23.00

	ENGINE N ₂ %	ROTOR SPEED			
		MAIN		TAIL	
		RPM	Tip Speed ft/sec	RPM	Tip Speed ft/sec
Maximum Redline - Power OFF	NA	504	719	3314	737.37
Minimum Redline - Power OFF	NA	410	585	2696	599.86
Maximum - Power ON	91	471	672	3097	689.08
Minimum - Power-ON	90	466	665	3066	682.18

1-3. PRINCIPAL DIMENSIONAL DATA

- Overall Length 31 feet 1.5 inches

SCHWEIZER MODEL 269D HELICOPTER CSP-D-1P

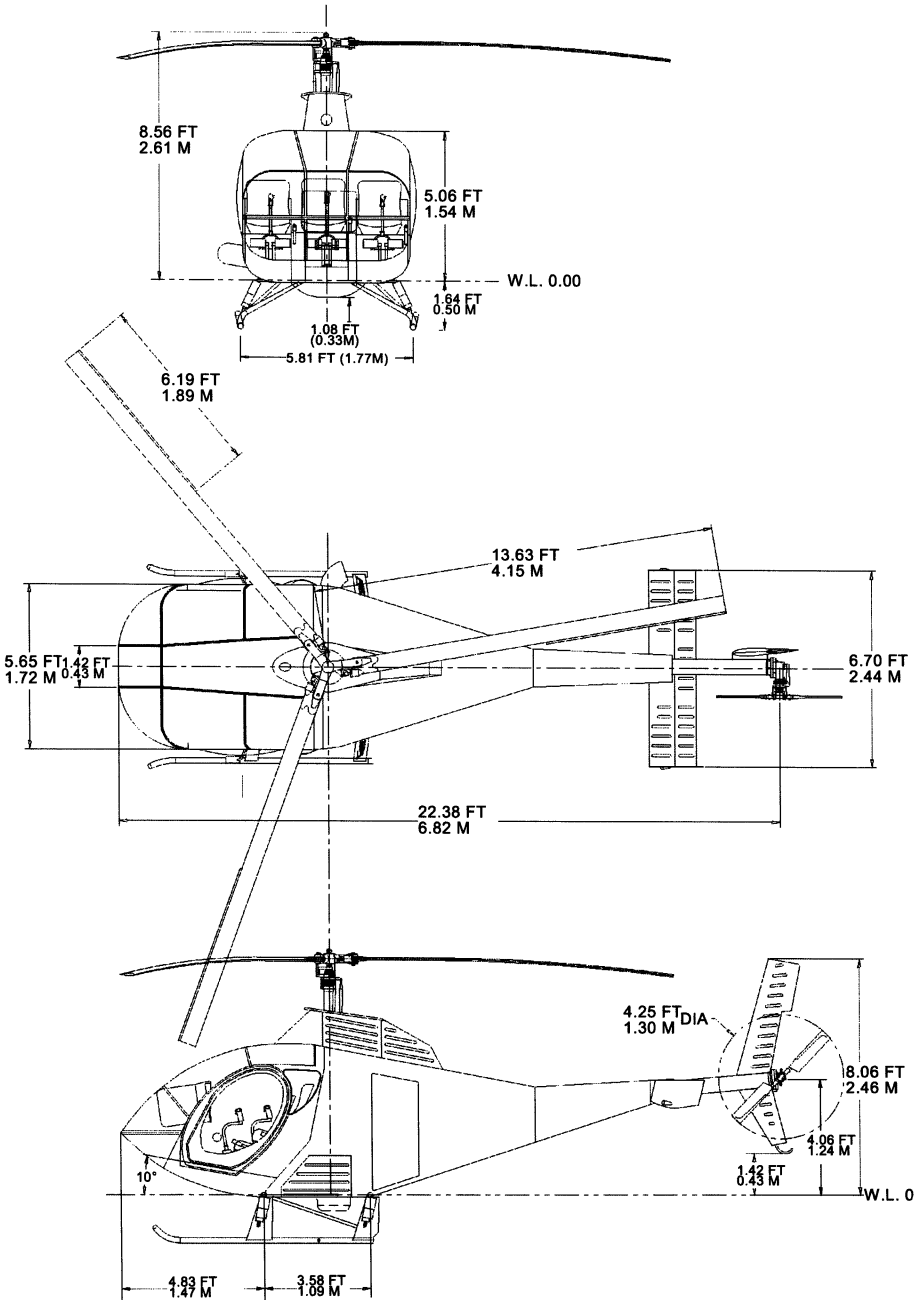


Figure 1-1 Principal Rotorcraft Dimensions

SCHWEIZER MODEL 269D HELICOPTER
CSP-D-1P

SECTION II
Limitations

Not Affected

SECTION III
Emergency Procedures

Not Affected

SECTION IV
Normal Procedures

Not Affected

SECTION V
Performance

5-1. NOISE

- The Model 269D Helicopter meets FAR Part 36 Appendix J. At maximum gross weight, the helicopter produces 80.6 dBA SEL.

SCHWEIZER MODEL 269D HELICOPTER
CSP-D-1P

SECTION VI
Weight And Balance

Not affected

SECTION VII
Aircraft Handling, Servicing and Maintenance

7-1. DESIGN AND CONSTRUCTION

The 269A1185-5 main rotor blades are the only blades used with the 269A1002-11 Increased Diameter Main Rotor System.

7-2. GENERAL DIMENSIONAL DATA

Main Rotor Characteristics

- Rotor Diameter 27.26 feet
- Rotor Disc Area 583.6 square feet
- Blade Area (tabs not included) 23.00

7-3. PRINCIPAL DIMENSIONAL DATA

- Overall Length 31 feet 1.5 inches

SCHWEIZER MODEL 269D HELICOPTER CSP-D-1P

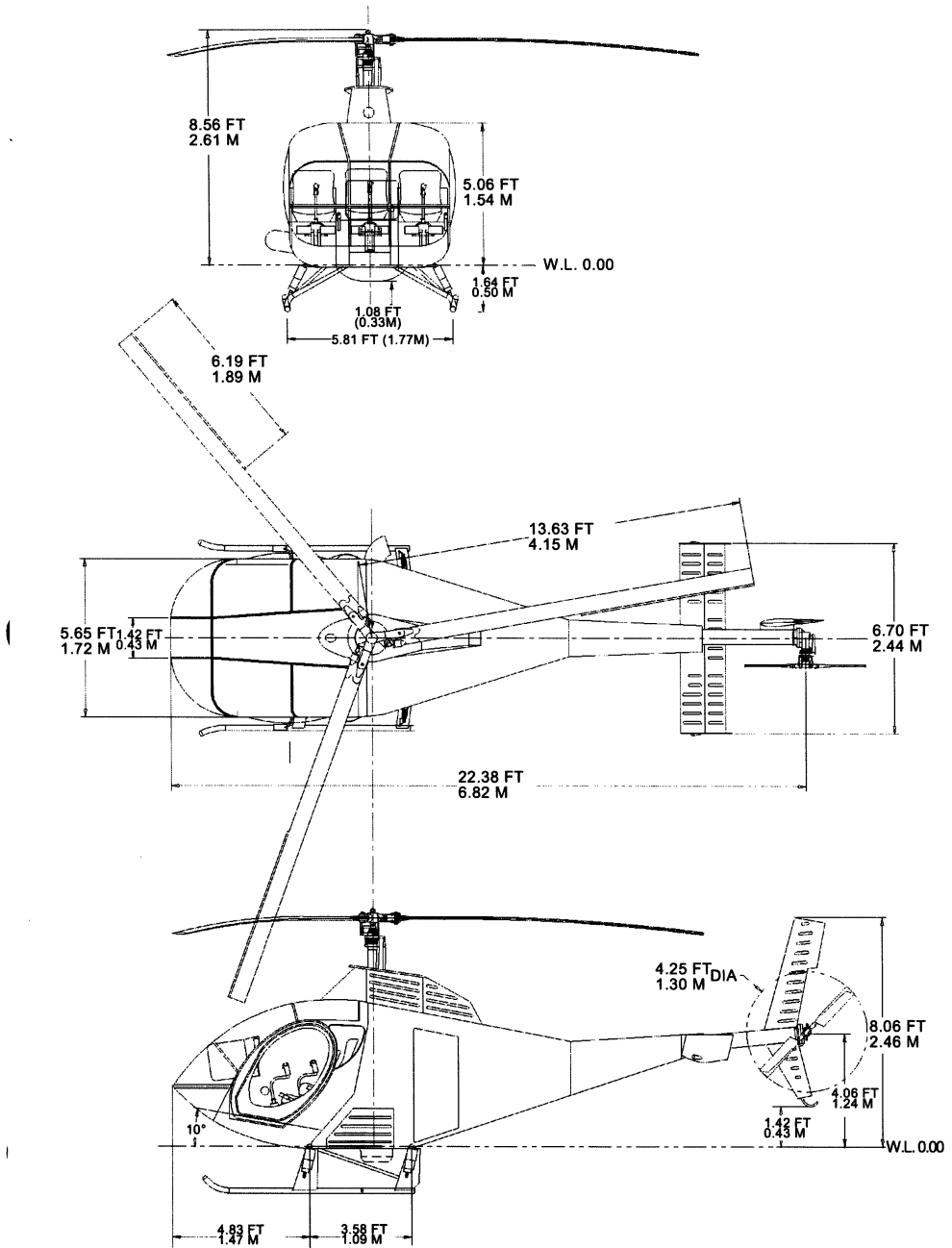


Figure 7-1 Principal Rotorcraft Dimensions

SCHWEIZER MODEL 269D HELICOPTER
CSP-D-1P

SECTION VIII
Additional Operations and Performance Data

- 8-1.** Performance data defined in Section 8 of the approved rotorcraft flight manual is not applicable with this helicopter configuration supplement.