



SCHWEIZER SERVICE INFORMATION NOTICE

NOTICE NO. N-145

DATE 11 July 1977

PAGE 1 OF 4

SUBJECT: REPLACEMENT OF 269A8244 OR 269A8244-7 TAILBOOM CLAMP ASSEMBLY FOR MUFFLER/RESONATOR KIT INSTALLATION 269A8245 OR RESONATOR KIT INSTALLATION 269A8245-3

MODELS AFFECTED: All Model 269C Helicopters equipped with subject Muffler/Resonator Kit or Resonator Kit Installation

TIME OF COMPLIANCE: Shall be accomplished at owners and operators discretion.

PREFACE: The information given in this Service Information Notice lists a procedure for field replacement of the 269A8244 or 269A8244-7 tailboom clamp assembly with an improved 269A8250 clamp assembly. The new 269A8250 clamp assembly incorporates a 269A8249 clamp made of thicker sheet metal and having a larger flange on the stand-off bracket for greater distribution of loads from the bracket to the clamp. New attach hardware, together with a larger diameter mounting hole in the stand-off bracket, also allows for movement during thermal expansion and thus prevents cracking or damage to the stand-off bracket.

The below referenced Hughes Service Information Notice No. N-117.2 incorporates the new 269A8250 clamp assembly and is to be used for original installation of the 269A8245 Muffler/Resonator Kit and 269A8245-3 Resonator Kit.

Reference

Hughes Service Information Notice No. N-117.2, dated 11 July 1977

Hughes Helicopters

NOTICE NO. N-145
DATE: 11 July 1977
PAGE: 2 of 4

PARTS LIST

When ordering, specify PN 269A8250 Muffler/Resonator Clamp Assembly, which consists of the following:

<u>Nomenclature</u>	<u>Part No.</u>	<u>Qty</u>	<u>Mfr</u>
Clamp	269A8249	1	HH
Nut	MS20500-1032	1	Commercial
Washer, curved spring	U250-0145	1	Assoc Spring Co.
Bushing	HS13C248-194-235	1	HH
Washer	AN970-4	2	Commercial
Washer	HS306-224H	2	HH
Clamp	S126JJ-S30	1	Umco Inc
Bolt	MS20033-22	1	Commercial
Washer	AN960C10L	1	Commercial

REWORK PROCEDURE

a. Remove existing 269A8244 or 269A8244-7 clamp assembly from tailboom and resonator. Discard clamp and attaching hardware.

NOTE

Support resonator to prevent strain or damage to muffler/resonator interconnect tube.

b. Install new 269A8249 clamp on tailboom; torque nut 30 to 40 inch-pounds so that clamp fits snug around tailboom. (See Figure 1.)

c. Position S126JJ-S30 clamp on resonator; install clamp to stand-off bracket with hardware as shown. (See Figure 1, Detail A.)

NOTE

Ensure that bolt/bushing combination is installed in lower forward quadrant of stand-off bracket mounting hole (engine cold) to allow for movement during thermal expansion. (See Figure 1, Section B-B.)

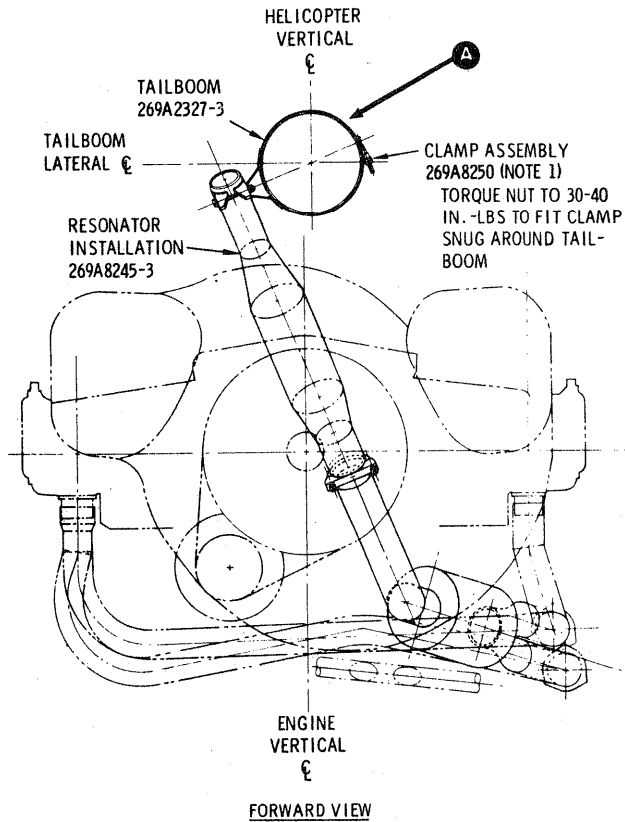
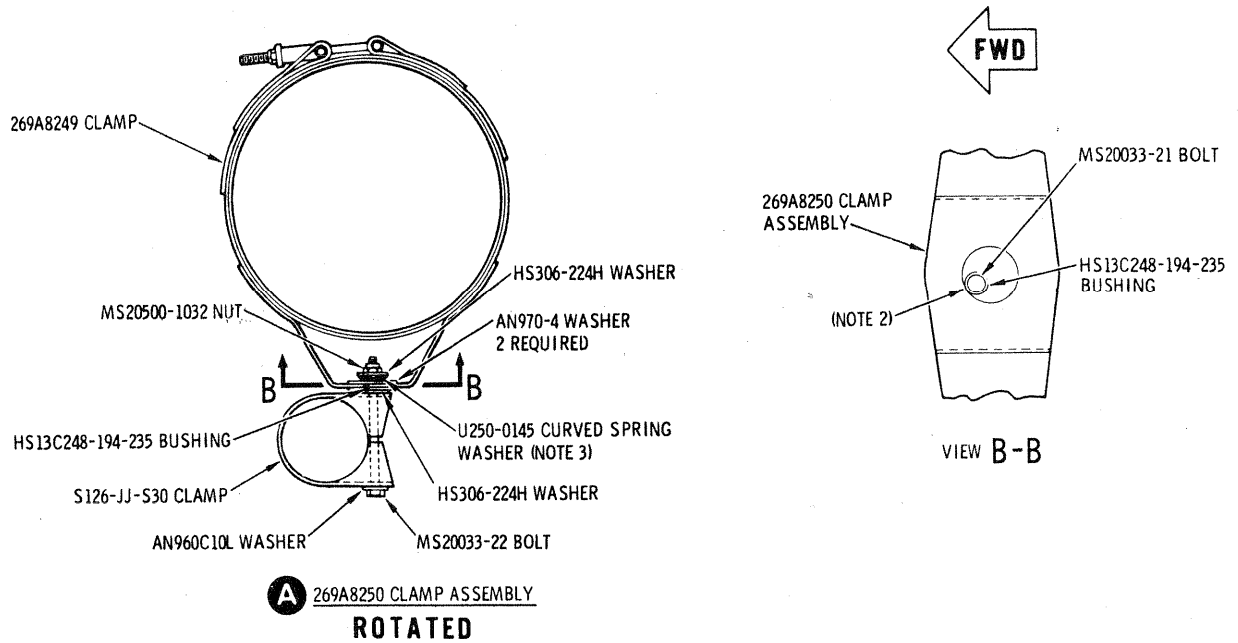
- d. Check installation of 269A8250 clamp assembly for discrepancies.
- e. Record compliance with this Service Information Notice in Compliance Record of helicopter Log Book.

WEIGHT AND BALANCE DATA

Weight and balance not affected.

Hughes Helicopters

NOTICE NO. N-145
 DATE: 11 July 1977
 PAGE: 4 of 4



NOTES:

1. 269A8250 CLAMP ASSEMBLY REPLACES EXISTING 269A8244 OR 269A8244-7 CLAMP ASSEMBLY.
2. INSTALL BOLT/BUSHING COMBINATION IN LOWER FORWARD QUADRANT OF MOUNTING HOLE (ENGINE COLD) TO ALLOW FOR MOVEMENT DURING THERMAL EXPANSION.
3. INSTALL AS SHOWN.

Figure 1. Replacement of muffler/resonator tailboom clamp assembly