



HUGHES SERVICE INFORMATION NOTICE

NOTICE NO. N-48
DATE May 2, 1968
PAGE 1 OF 4

SUBJECT: RETROFIT KIT - ALTERNATE BATTERY LOCATION

MODELS AFFECTED: All 269B Series Helicopters

TIME OF COMPLIANCE: At owners and operators discretion.

PREFACE: To provide an alternative battery location for helicopters equipped with auxiliary fuel tank and/or float kit installation.

Materials

Sealant - Thiokol Type Synthetic Rubber

PR-1221B2(Products Research Co., L. A., Calif.) or equivalent Commercial

Cement - "Grip"

Tools and Equipment

Drill - portable

Commercial

Reference

269B Handbook of Maintenance Instructions, 1 April 1968

PARTS LIST*

*When ordering specify P/N 269A4902 Retrofit Kit - Alternate Battery Location consisting of:

<u>Nomenclature</u>	<u>P/N</u>	<u>Qty.</u>
Tube Assembly	269A4902-3	1
Nut	MS20365-1032	2
Screw	AN3-4	2
Box, battery	269A4119	1
Tube	269A4117-3	1
Strip	269A4764-5	2
Strip	269A4764-7	1
Terminal	#7-322010	2
Terminal	#322009	2
Screw	AN502-10-10	2
Washer	AN960PD10	2
STA-STRAP (Panduit or equivalent)	SST-2	1
Terminal	31882	1

- a. Set battery and all other electrical switches in OFF position.
- b. Disconnect terminals from battery relay; remove relay from tail boom.
- c. Remove ground cable for aircraft frame.
- d. Remove lower half of battery holder and battery from aircraft; disconnect cables from battery terminals.
- e. Remove battery bracket strap from tail boom; remove battery cable and attachments from tail boom support strut.
- f. Support tail boom at aft end; remove battery bracket from center attachment fitting; reinstall attaching hardware, torque bolts to 30-40 in. lbs.
- g. Position and secure support tube and bracket assembly to 2239-5 and 2239-19 frame tubes with -7 and -9 clamps, per Figure 1.
- h. With battery removed from 4119 battery box, drill two 0.190/0.204 inch diameter holes 1.19 inches apart in battery box; attach battery relay with existing hardware.

NOTE

Seal over heads of bolts on interior of battery box with PR-1221 B-2 sealant or equivalent.

- i. Install battery in battery box and secure cover; install 4764-7 strip and 4764-5 strips on brackets, using "grip" cement; position battery box assembly on brackets; secure with AN502-10-10 screws and AN960PD10 washers, safety-wire screws.
- j. Attach 4117-3 tube and secure with SST-2 Sta-Strap or equivalent; tie tube to crossbeam with Koroseal lacing.
- k. Connect cables to battery terminals and to ground connection and starter relay.

NOTE

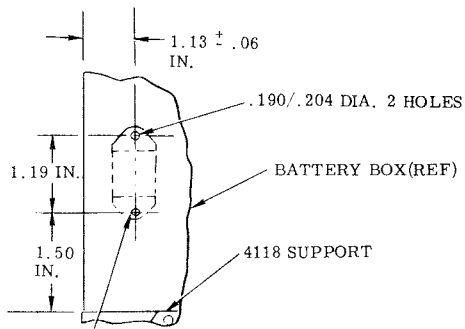
Use existing cables by cutting to length required and installing new terminals #322009, 7-322010, or 31882; or install new wires of same size and identify. Route wiring across rear cross beam to starter relay.

- l. Visually inspect installation for security of attachments.
- m. Perform an operational check of electrical system.

Weight & Balance Data

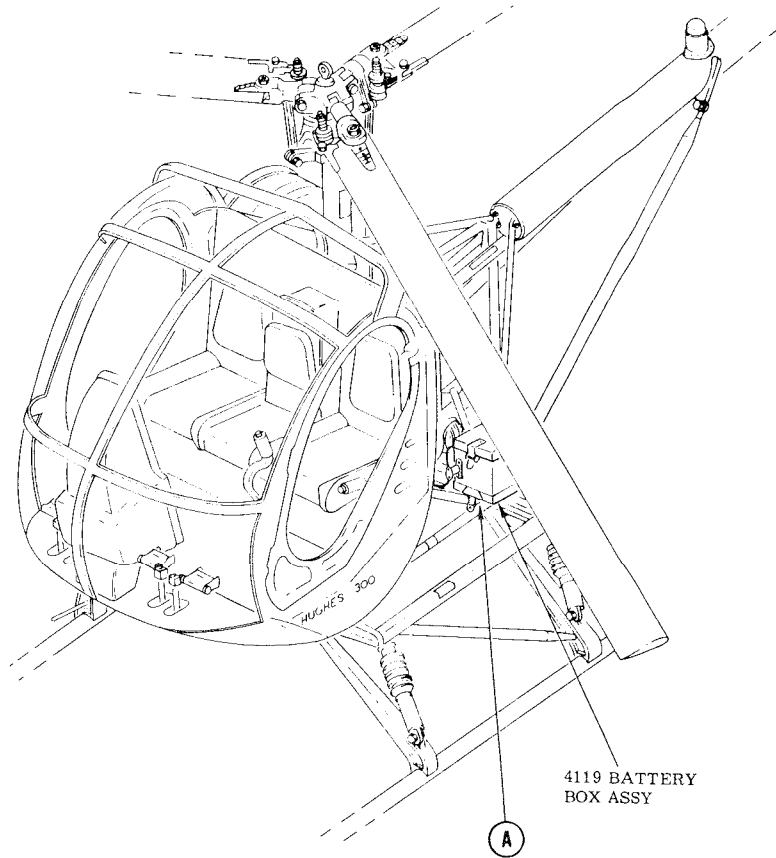
Battery Location

Tail Boom:	23.0 lbs. at 190 in. arm
Aircraft Frame: (Alternate)	23.2 lbs. at 117 in. arm



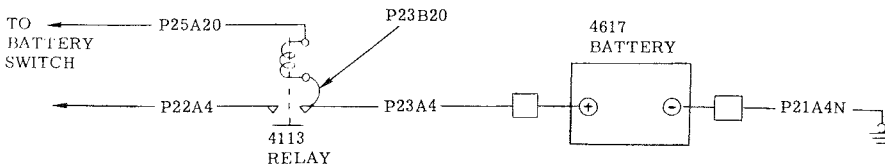
WITH THE BATTERY LOCATED IN THE FWD. POSITION RELOCATE THE BATTERY RELAY HERE USING THE EXISTING HARDWARE OR INSTALL SECOND 269A4113 RELAY.

DETAIL B

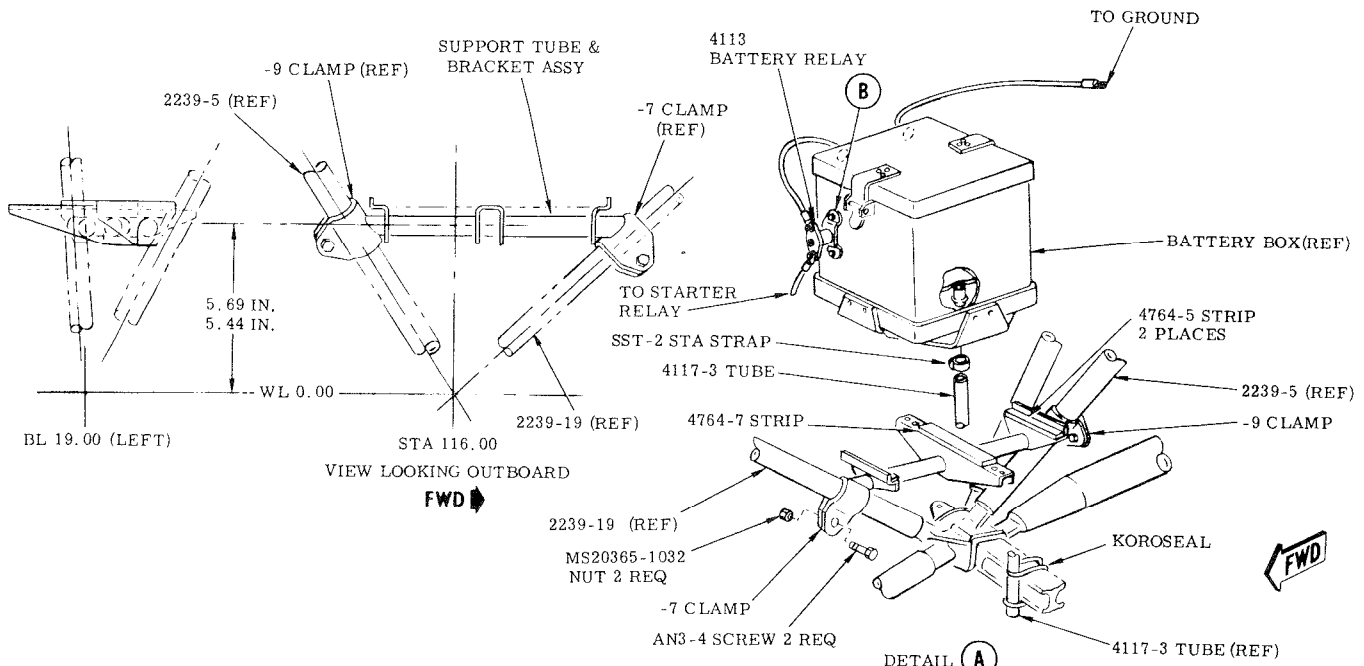


4119 BATTERY BOX ASSY

A



WIRING DIAGRAM



FWD

FWD

DETAIL A

Figure 1. Alternate Battery Location